

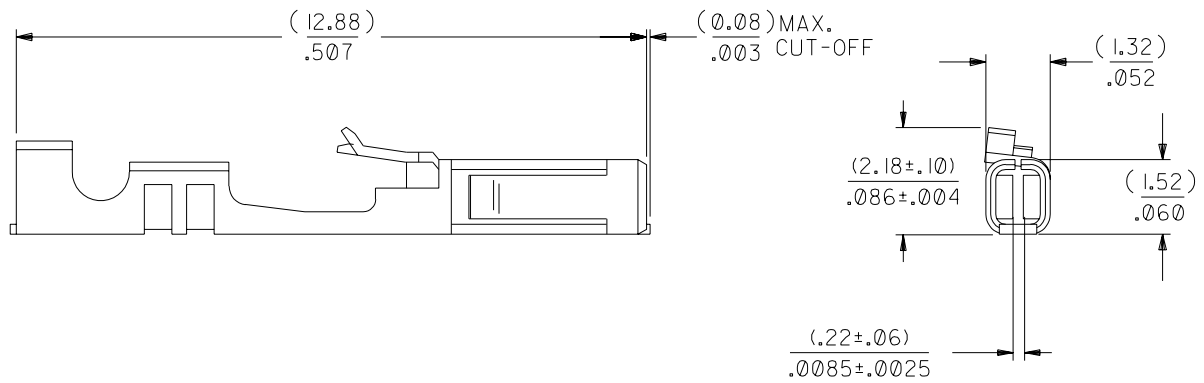
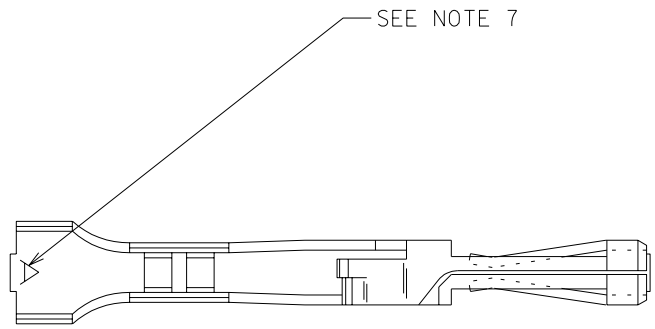
**NOTES:**

1. TERMINAL TO BE USED IN HOUSINGS 70066-\*\*\*\* AND 70450-\*\*\*\*
2. REFER TO PRODUCT SPECIFICATION PS-70058
3. REFER TO MOLEX OPERATIONS AND SERVICE MANUAL FOR CRIMP DETAILS
4. TERMINAL TO BE USED WITH (0.64)/.025 SQUARE PINS
5. TERMINAL TO BE USED WITH 24-30 AWG STRANDED WIRE WITH (1.52)/.060 MAX. DIA. INSULATION
6. TERMINALS SUPPLIED LOOSE PER DRAWING PK-70873-0822
7. CRIMP SIZE INDICATOR A=24-30 AWG

\*THE PRIMARY SHIPPING CARTON WILL BE LABELED "COMPLIANT TO RoHS DIRECTIVE 2002/95/EC AND ELV ANNEX II OF DIRECTIVE 2000/53/EC". CARTONS WITHOUT THIS LABEL MAY CONTAIN PRODUCT WITH LEAD.

**PLATING:**

.000150 MIN. TIN PLATE  
OVER NICKEL PLATE.



D	LEAD FREE UCP2004-1769 RWHITE 04/03/11	C1	REVISED PER ECR #U70928 MCGRATH 97/06/26
C3	ADD. CRP. SIZE&NOTE 7 ECN UDT1998-0183 MQWANG 04/17/98	C	164 PLATING WAS 102 PER ECR # U31149 08/17/93 REED
C2	REVISED ECR #U80270 MCGRATH 97/07/31	B	REDRAWN & REVISED PER ECR #U81133 03/02/88 MJM/JAS
LTR.	REVISIONS	LTR.	REVISIONS

DIMENSIONS SHOWN (METRIC) INCH	
UNLESS OTHERWISE SPECIFIED TOLERANCES: ANGULAR ± 1/2°	
3 PLACE	± .005
2 PLACE	± .01
1 PLACE	± 0.25
DRAFT WHERE APPLICABLE MUST REMAIN WITHIN DIMENSIONS	
DRWG. BY: JAS	CHK'D. BY: MJM
APP'D. BY: WAZ	SCALE: 10:1

▽ = 0    ▼ = 0    REVISE ONLY ON CAD SYSTEM

TITLE: **TERMINAL - BOX/CRIMP**

MOLEX INCORPORATED  
LISLE, ILL. 60532 U.S.A.

PART NO. 016-02-0096    DRWG. NO. SD-70058-0204

FILE NAME: S70058A4 DGN

THIS DRAWING CONTAINS INFORMATION THAT IS PROPRIETARY TO MOLEX INC. AND SHOULD NOT BE USED WITHOUT WRITTEN PERMISSION.

SHEET NO. 1 OF 1    DATE 03/02/88

DIV. DA    SIZE B